



SN-TPT4231ZZ-M (III)

Dual-sensor Temperature Measurement PTZ Camera



Key Features

- Uncooled VOx thermal sensor with 400×300 resolution
- Sensitivity $\leq 40\text{mK}$
- 25/50/75/100 mm motorized lens optional
- Support 3 temperature measurement rule types (spot, line, area)
- Reliable temperature-anomaly alarm
- Temperature measurement range: $-20^{\circ}\text{C} \sim 150^{\circ}\text{C}$ ($-4^{\circ}\text{F} \sim 302^{\circ}\text{F}$)
- 17 color palettes
- Power off self-locking, strong wind resistance
- Anti-frozen

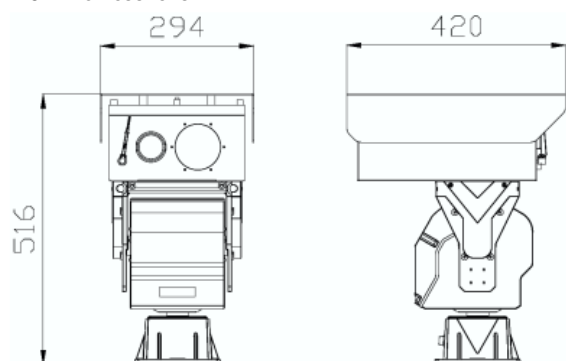
Specification

Thermal Camera				
Image Sensor	Uncooled VOx Focal Plane Arrays 400x300			
Resolution	Sensor is 400x300. Image can be scaled up to 704x576			
Pixel Pitch	17 um			
Thermal Sensitivity (NETD)	≤ 40 mK			
Spectral Range	8 ~ 14 um			
Image Setting	Brightness, Sharpness, Contrast, Mirror, FFC control, 2D/3D DNR			
Pseudo-color Setting	White-hot/Black-hot/Rainbow/Ironbow etc. up to 17 modes			
Thermal Lens				
Lens Type	Fixed			
Focus Control	Motorized Focus			
Focal Length	25mm	50mm	75mm	100mm
F No.	F1.0	F1.0	F1.0	F1.0
Angle of View	H:15.4°, V:11.6°	H: 7.7°, V:5.8°	H: 5.1° V:3.8°	H: 3.8° V:2.3°
Detection Distance (Fire: 1*1m)	735m	1471m	2206m	2941m
Detection Distance (Humans: 1.8*0.5m)	735m	1471m	2206m	2941m
Detection Distance (Vehicles: 4*1.5m)	2255m	4510m	6765m	9020m
Recognition Distance (Humans: 1.8*0.5m)	184m	368m	551m	735m
Recognition Distance (Vehicles: 4*1.5m)	564m	1127m	1691m	2255m
Visible Camera				
Image Sensor	1/2.8" Sony CMOS			
Max. Resolution	2592 (H)x1520 (V)			
Shutter Speed	1/5 ~ 1/20,000s			
Min. Illumination	Color: 0.01 Lux @ (F1.2, AGC ON), B/W: 0.001 Lux			
S/N Ratio	More than 55 dB			
Focal Length	5.3 ~ 159mm			
Max Aperture	F1.6 ~ F4.3			
Angle of View	H: 55° ~ 2.3°, V: 41.6° ~ 1.7°			
Optical Zoom	30x			
Focus Control	Auto/Manual/Semi-automatic			
Defog	Support			
Privacy Masking	Support			
PTZ				
Pan/Tilt Range	Pan: 0° ~ 360° endless, Tilt: +40° ~ -75°			
Pan/Tilt Speed	Pan: 0.01° ~ 60°/s, Tilt: 0.01° ~ 30°/s			
Wiper	Support			
Preset Accuracy	± 0.2°			
Presets	400			
Scan	8 scans, up to 32 presets per scan			
Patrol	12 patrols, up to 32 presets per scan			
Track	6 tracks			
3D Positioning	Support			
Speed Setup	Auto/Manual (0-8)			
Power Off Memory	Support			
Idle Motion	Activate Preset/ Scan/Tour/Pattern if there is no command in the specified period			

Video and Audio	
Main Stream	Visible: 2592x1520, 2560x1440, 2304x1296, 1920x1080, 1280x720 @25/30fps Thermal: 704x576 @25/30fps
Sub Stream	Visible: D1, VGA, 640x360, CIF, QCIF, QVGA @25/30fps Thermal: CIF @25/30fps
Bit Rate Control	CBR/VBR
Bit Rate	Visible: Main stream: 100Kbps~16Mbps, Sub stream: 10Kbps~6Kbps Thermal: Main stream: 100Kbps~6Mbps Sub stream: 10Kbps~1.5Mbps
Region of Interest	Off/On (8 Zone, Rectangle)
Audio Compression	G711: 8kbps, RAW_PCM: 16kbps
Smart Function	
Smart Alarm	Motion detection, Disk alarm, I/O alarm, Temperature detection and alarm
Intelligent Analysis	Intrusion, Single line crossing, Double line crossing, Object left, Object removed
Temperature Detection	
Temperature Detection	3 temperature measurement rule types, 20 rules in total, 1 full screen, 19 others (spot, areas, line).
Temperature Alarm	Over temperature alarm, Temperature difference alarm
Accuracy	±2°C / ±2%
Response Time	≤ 30ms
Temperature Range	-20°C ~ 150°C (-4°F ~ 302°F)
Network	
Protocols	IPv4/IPv6, HTTP, RTSP/RTP/RTCP, TCP/UDP, DHCP, DNS, PPPOE, SMTP, 802.1x
Interoperability	ONVIF, CGI, SDK
Max. User Access	10 Users
Web Viewer	<IE11, Chrome, Firefox, Microsoft Edge
Web Language	English, Chinese, Polish, Italian, Portuguese, Spanish, Russian, French, Czech, Hungarian
Interface	
Network Interface	1 Ethernet (10/100 Base-T) RJ-45 Connector
Audio Interface	2ch Audio In, 2ch Audio Out
Alarm Interface	9ch Alarm In, 4ch Alarm Out
RS485	Support
CVBS Output	Support
Reset Button	Support(Built-in)
SD Card Slot	Built-in, up to 256GB
General	
Power Supply	DC36V
Power Consumption	Max 100 W
Working Temperature	-40°C ~ 60°C (-40°F ~ 140°F)
Storage Conditions	0 ~ 90% RH
Certifications	CE /FCC
Ingress Protection	IP66
Casing	Metal
Dimensions	294 x420 x516 mm (11.57 x 16.54 x 20.31 inch)
Net Weight	25 kg (55.12 lb) with 75mm lens

Dimensions (mm)

With 75mm or less lens



With 100mm lens

