



SN-PTZ8825-HN

7-inch 2MP IR PTZ Network Camera



Key Features

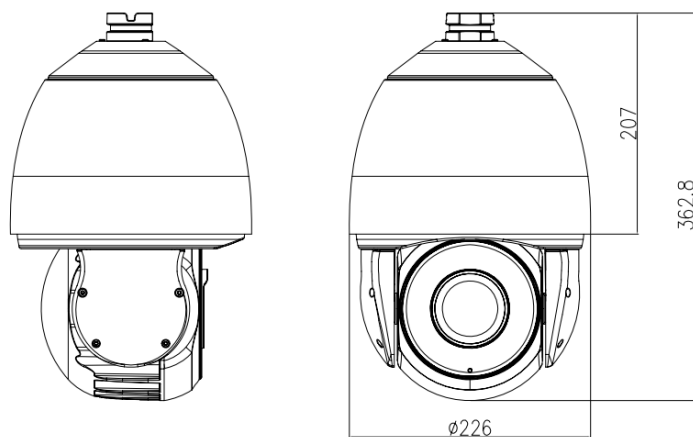
- 1/2.8" progressive scan CMOS
- 25x optical zoom, 16x digital zoom
- Max. 2MP(1920×1080) @ 25/30fps resolution
- Compression H.265, H.264, MJPEG with smart codec
- Support face, human and vehicle detection and capture
- Support smoke and fire detection as well as smart motion detection
- Auto tracking and perimeter protection based on deep learning
- Intelligent analysis: intrusion, single line crossing, double line crossing, loitering, wrong way, illegal parking and people counting
- WDR 140dB, 3D DNR, ICR, Defog, Anti-shake
- Smart IR distance up to 200 m
- IP67, IK10

Specification

Camera	
Image Sensor	1/2.8" Progressive Scan CMOS
Max. Resolution	1920(H)x1080(V)
Electronic Shutter	Auto/Manual, 1/5 ~ 1/20,000s
Min. illumination	Color: 0.01 Lux @ (F1.6, AGC ON) B/W: 0.001 Lux @ (F1.6, AGC ON), 0 Lux with IR
Day & Night	IR cut filter
IR Distance	Smart IR, up to 200 m (656.2 ft)
IR On/Off Control	Auto/Manual
Lens	
Focal Length	5 ~ 125mm
Max. Aperture	F1.6 ~ F3.67
Angle of View	H: 57.0° ~ 3.4°, V: 33.2° ~ 1.9°
Optical Zoom	25x
Digital Zoom	16x
Focus Control	Auto/Manual/Semi-automatic
Iris Control	Auto/Manual/Fixed
PTZ	
Pan/Tilt Range	Pan: 0° ~ 360° endless, Tilt: -10° ~ +90°
Pan Speed	Pan speed: 0.1° to 300°/s, preset speed: 300°/s
Tilt Speed	Tilt speed: 0.1° to 300°/s, preset speed: 300°/s
Presets	400
PTZ Mode	6 Track, 12 Scan, 12 Patrol (up to 32 presets per patrol)
Power-Off Memory	Support
3D Positioning	Support
PTZ Status Display	Support
Idle Motion	The time can be set (1-240 minutes), and functions such as preset positions, patrols, scans, and tracks can be run.
Video	
Streaming Capability	3 Streams
Stream/Frame Rate	Stream1: 1920x1080, 1280x720 @ 25/30fps Stream2: D1, VGA, 640x360, CIF, QVGA @ 25/30fps Stream3: VGA, CIF, QVGA @ 25/30fps
Bit Rate Control	CBR/VBR
Bit Rate	Stream1: 200kbps~12Mbps Stream2: 100kbps~6Mbps Stream3: 100kbps~3Mbps
Compression	H.264, H.265, MJPEG with smart codec
Region of Interest (ROI)	Support
Image	
Image Adjustment	Brightness, Sharpness, Contrast, Saturation
Mirror	Support
Exposure Mode	Auto/Manual
White Balance	Auto/Manual
Day/Night Setting	Auto, Day, Night, Time
Smart IR	Support

Noise Reduction	2D/3D DNR
Wide Dynamic Range	WDR 140dB
Image Enhancement	HLC, BLC, Defog, Anti-shake
S/N Ratio	55dB
Motion Detection	Support
Privacy Masking	Support
Audio	
Compression	G.711 (8kbps), RAW_PCM (16kbps)
Smart Function	
Multi-Object Detection	Support face, human, vehicle detection and capture
Intelligent Analysis	Intrusion, Single line crossing, Double line crossing, Loitering, Wrong way, Illegal parking (Supports accurate detection of humans and vehicles)
Smoke and Fire Detection	Support
People Counting	Support
Smart Motion Detection	Support
Smart Tracking	Support
Network	
Protocols	IPv4, IPv6, TCP / IP, HTTP, HTTPS, UPnP, RTSP / RTP / RTCP, IGMP / Multicast, SMTP, DHCP, NTP, DNS, DDNS, QoS, SNMP, 802.1X, UDP, ICMP, ARP, TLS
Interoperability	ONVIF, SDK, CGI
Streaming Method	Unicast
Max. User Access	10 Users
Web Viewer	<IE11, Chrome, Firefox, Microsoft Edge
Language	English, Chinese, Polish, Italian, Portuguese, Spanish, Russian, French, Czech, Hungarian. Default: English
Interface	
Network Interface	1 x RJ-45, 10/100 Mbps self-adaptive Ethernet port
Audio Interface	1ch Input, 1ch Output
Alarm Interface	7ch Input, 2ch Output
RS485	Support
CVBS Output	Support
SD Card Slot	Yes (Built-in), up to 256GB
Electrical	
Power Supply	AC24V/DC36V/POE++ (IEEE 802.3bt) Standard Equipped: DC36V
Power Consumption	Less than 45 W
Operating Temperature	-40 °C ~ 60 °C (-40 °F ~ 140 °F)
Operating Humidity	Less than 90% RH
Protection	IP67, IK10, TVS4000V
Certifications	CE/FCC
Casing	Metal (Include Wall Bracket SN-BK349)
Dimensions	Φ226 × 362.8 mm (Φ8.9 × 14.28 inch)
Net Weight	5.5 kg (12.12 lb)

Dimensions (mm)



Accessories: Optionals



SN-BK349
Wall Bracket



SN-BK348
Ceiling Bracket



SN-BK605
Corner Mount



SN-BK604B
Pole Mount



SN-BK367
Junction Box



SN-BK355
Wall Bracket



SN-BK358
Corner Mount



SN-BK359
Pole Mount