



SN-IPS8640MDR-Z30

7-inch 4MP 30x IR PTZ Network Camera



Key Features

- 1/2.8" progressive scan CMOS
- 30x optical zoom, 16x digital zoom
- 4MP(2592×1520) @25/30fps
- Support face, human and vehicle detection and capture
- Support smoke and fire detection as well as smart motion detection
- Auto tracking and perimeter protection based on deep learning
- Intelligent analysis: intrusion, single line crossing, double line crossing, loitering, wrong-way, illegal parking and people counting
- True WDR, 3D DNR, ICR, Defog, Anti-shake
- Smart IR distance up to 200 m
- IP66

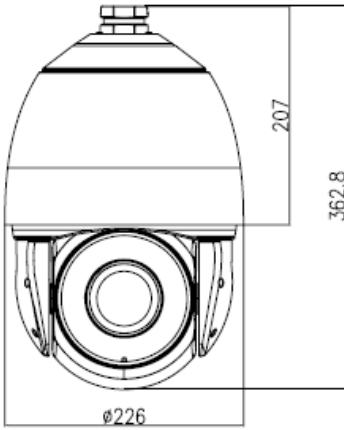
Specification

Camera				
Image Sensor	1/2.8" Progressive Scan CMOS			
Max. Resolution	4MP (2592×1520)			
Electronic Shutter	Auto/Manual, 1/5 to 1/20,000s			
Min. illumination	Color: 0.07 Lux @ (F1.6, AGC ON), B/W: 0.007 Lux @ (F1.6, AGC ON), 0 Lux with IR			
Day & Night	IR cut filter			
IR Distance	Smart IR, Up to 200m (656.2ft)			
IR On/Off Control	Auto/Manual			
Lens				
Focal Length	5.3 to 159mm			
Max. Aperture	F1.6 to F4.3			
Angle of View	H: 55.6° to 2.5°, V: 34.0° to 1.9°			
Optical Zoom	30x			
Digital Zoom	16x			
Focus Control	Auto/Manual/Semi-automatic			
DORI Distance				
Lens	Detect	Observe	Recognize	Identify
Wide	104m (341.2ft)	41.6m (136.5ft)	20.8m (68.2ft)	10.4m (34.1ft)
Tele	3,120m (10,236.2ft)	1,248m (4,094.5ft)	624m (2,047.2ft)	312m (1,023.6ft)
PTZ				
Pan/Tilt Range	Pan: 0° to 360° endless, Tilt: -10° to +90°			
Pan Speed	Pan speed: 0.1° to 300°/s, preset speed: 300°/s			
Tilt Speed	Tilt speed: 0.1° to 300°/s, preset speed: 90°/s			
Presets	400			
PTZ Mode	6 Track, 12 Scan, 12 Patrol (up to 32 presets per patrol)			
Power-Off Memory	Support			
3D Positioning	Support			
PTZ Status Display	Support			
Idle Motion	The time can be set (1-240 minutes), and functions such as preset positions, patrols, scans, and tracks can be run.			
Video				
Streaming Capability	3 Streams			
Stream/Frame Rate	Stream1: 2592×1520, 2560×1440, 2304×1296, 1920×1080, 1280×720 @ 25/30fps Stream2: D1, VGA, CIF @ 25/30fps Stream3: VGA, CIF, QVGA @ 25/30fps			
Bit Rate Control	CBR/VBR			

Bit Rate	Stream1: 200kbps to 12Mbps Stream2: 100kbps to 6Mbps Stream3: 100kbps to 3Mbps
Region of Interest	Support
Smart Encode	Support
Image	
Image Adjustment	Brightness, Sharpness, Contrast, Saturation adjustable
Mirror	Support
White Balance	Auto/Manual
Day/Night Setting	Auto, Day, Night, Time
Smart IR	Support
Noise Reduction	2D/3D DNR
Image Enhancement	HLC, BLC, Defog, Anti-shake
Wide Dynamic Range	True WDR 120dB
S/N Ratio	50dB
Motion Detection	Support
Privacy Masking	Support 40 zones, mask color configurable
Audio	
Compression	G.711, RAW_PCM
Bit Rate	64Kps, 128Kbps
Smart Function	
Multi-Object Detection	Support face, human, vehicle detection and capture
Intelligent Analysis	Intrusion, Single line crossing, Double line crossing, Loitering, Wrong-way, Illegal parking (Supports accurate detection of humans and vehicles)
Smoke and Fire Detection	Support
People Counting	Support
Smart Motion Detection	Support
Smart Tracking	Support
Network	
Protocols	IPv4, IPv6, TCP / IP, HTTP, HTTPS, RTSP / RTP / RTCP, IGMP / Multicast, SMTP, DHCP, NTP, DNS, DDNS, QoS, SNMP, 802.1X, UDP, ICMP, ARP, TLS
Interoperability	ONVIF, SDK, CGI
Streaming Method	Multicast
Max. User Access	10 Users
Web Viewer	<IE11, Chrome, Firefox, Microsoft Edge
Language	English, Chinese, Polish, Italian, Portuguese, Spanish, Russian, French, Czech, Hungarian. Default: English
Interface	
Network Interface	1 Ethernet (10/100 Base-T) RJ-45 Connector
Audio Interface	1ch Input, 1ch Output
Alarm Interface	7ch Input, 2ch Output

RS485 Interface	Support
CVBS Output	Support
SD Card Slot	Built-in, up to 256GB
Electrical	
Power Supply	AC24V/DC36V/PoE++ (IEEE 802.3bt), Standard Equipped: DC36V
Power Consumption	Less than 45 W
Operating Temperature	-40°C to 60°C (-40°F to 140 °F)
Operating Humidity	Less than 90% RH
Ingress Protection	IP66, TVS4000V
Certifications	CE/FCC
Casing	Metal
Dimensions	φ 226×362.8mm (φ 8.9×14.28 inch)
Net Weight	5.5kg (12.13lb)

Dimensions (mm)



Accessories

Optional:



SN-BK349
Wall Bracket



SN-BK348A
Ceiling Bracket



SN-BK605
Corner Mount



SN-BK604B
Pole Mount



SN-BK367
Junction Box



SN-BK355
Wall Bracket



SN-BK358
Corner Mount



SN-BK359
Pole Mount