



# SN-IPR8020DQAS-B

2MP Smart Dual Illumination Bullet Network Camera



## Key Features

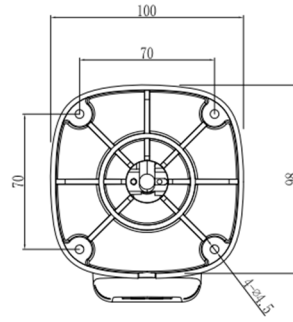
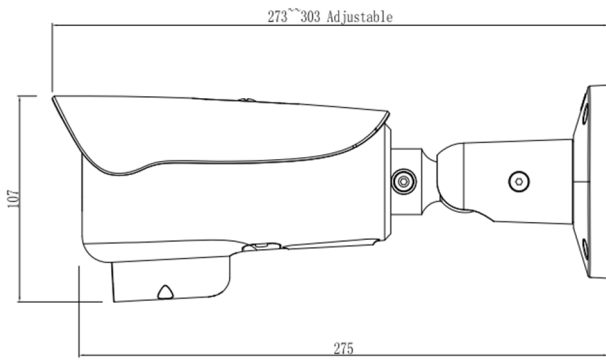
- 1/2.8" progressive scan CMOS
- Max. 2MP(1920×1080) @30fps resolution
- 4mm fixed lens (2.8mm optional)
- WDR, 3D DNR, ROI, HLC, BLC, Defog
- Support face, human, vehicle detection and capture
- Intelligent detection: intrusion, single line crossing, double line crossing, loitering, wrong way, people counting
- 1/1 audio in/out, 1/1 alarm in/out
- Built-in microphone and speaker
- Max. illumination distance up to 50m
- Built-in SD card slot, IP66, PoE

# Specification

Camera		
Image Sensor	1/2.8" Progressive Scan CMOS	
Max. Resolution	2MP (1920×1080)	
Electronic Shutter	Auto/Manual, 1/5 ~ 1/20,000s	
Min. illumination	Color: 0.01 Lux @ (F1.2, AGC ON) , B/W: 0 Lux @ (IR LED ON)	
Day & Night	IR cut filter	
Illumination Distance	IR distance up to 50m (164.0 ft), Warm light distance up to 40m (131.2 ft)	
Illuminator On/Off Control	Auto/Manual	
Pan/Tilt/Rotation Range	Pan: 0° ~ 360°, Tilt: 0° ~ 90°, Rotation: 0° ~ 360°	
Lens		
Lens Type	Fixed lens	
Iris	Fixed Iris	
Focal Length	2.8 mm	4 mm
F Number	F1.6	F1.6
Angle of View	H: 100°, V: 55°	H: 78.3°, V: 42.3°
Video		
Streaming Capability	3 Streams	
Stream/Frame Rate	Stream1: 1920×1080, 1280×720 @ 25/30fps Stream2: D1, VGA, 640×360, CIF, QVGA @ 25/30fps Stream3: VGA, CIF, QVGA @ 25/30fps	
Bit Rate Control	CBR/VBR	
Bit Rate	Stream1: 200kbps~12Mbps Stream2: 100kbps~6Mbps Stream3: 100kbps~3Mbps	
Region of Interest	Off/On (8 Zone, Rectangle)	
Smart Encode	Support	
Image		
Image Adjustment	Brightness, Sharpness, Contrast, Saturation adjustable	
Aisle Mode	Support	
Mirror	Support	
White Balance	Auto/Manual	
Day/Night Setting	Auto, Day, Night, Time	
Smart Illumination	Support	
Noise Reduction	2D/3D DNR	
Image Enhancement	HLC, BLC, Defog	
Wide Dynamic Range	True WDR	
S/N Ratio	55dB	
Motion Detection	Support	
Privacy Masking	Support	

Smart Function	
Multi-Object Detection	Support face, human, vehicle detection and capture
Intelligent Analysis	Intrusion, Single line crossing, Double line crossing, Loitering, Wrong way, People counting Support alarm triggering by specified target types (human and vehicle)
Audio	
Compression	G.711, RAW_PCM
Bit Rate	8kbps, 16kps, 64kbps
Network	
Protocols	IPv4/IPv6, 802.1x, HTTP, HTTPS, TCP/IP, UDP/IP, RTSP, DHCP, NTP, RTCP/RTP, PPPoE, SMTP, DNS, UPnP, FTP, ARP, SNMP, TLS/SSL
Interoperability	ONVIF, SDK, CGI
Streaming Method	Unicast
Max. User Access	10 Users
Web Viewer	<IE11, Chrome, Firefox, Microsoft Edge
Language	English, Chinese, Polish, Italian, Portuguese, Spanish, Russian, French, Czech, Hungarian. Default: English
Interface	
Network Interface	1 Ethernet (10/100 Base-T) RJ-45 Connector
Audio Interface	1ch Input, 1ch Output
Built-in Microphone	Yes
Built-in Speaker	Yes
Alarm Interface	1ch Input, 1ch Output
Reset Button	Support
SD Card Slot	Built-in, up to 256GB
Electrical	
Power Supply	DC12V(-15%~+25%)/POE (IEEE 802.3af)
Power Consumption	Max 9.5W
Operating Temperature	-40°C ~ 55°C (-40°F ~ 131°F )
Operating Humidity	Less than 90% RH
Ingress Protection	IP66
Certifications	CE / FCC
Casing	Metal
Dimensions	303 × 100 × 107 mm (11.9 × 3.94 × 4.21 inch)
Net Weight	1.24 kg (2.73 lb)

## Dimensions (mm)



## Accessories

### Optional:



SN-CBK649B  
Junction Box



SN-CBK627D  
Pole Mount